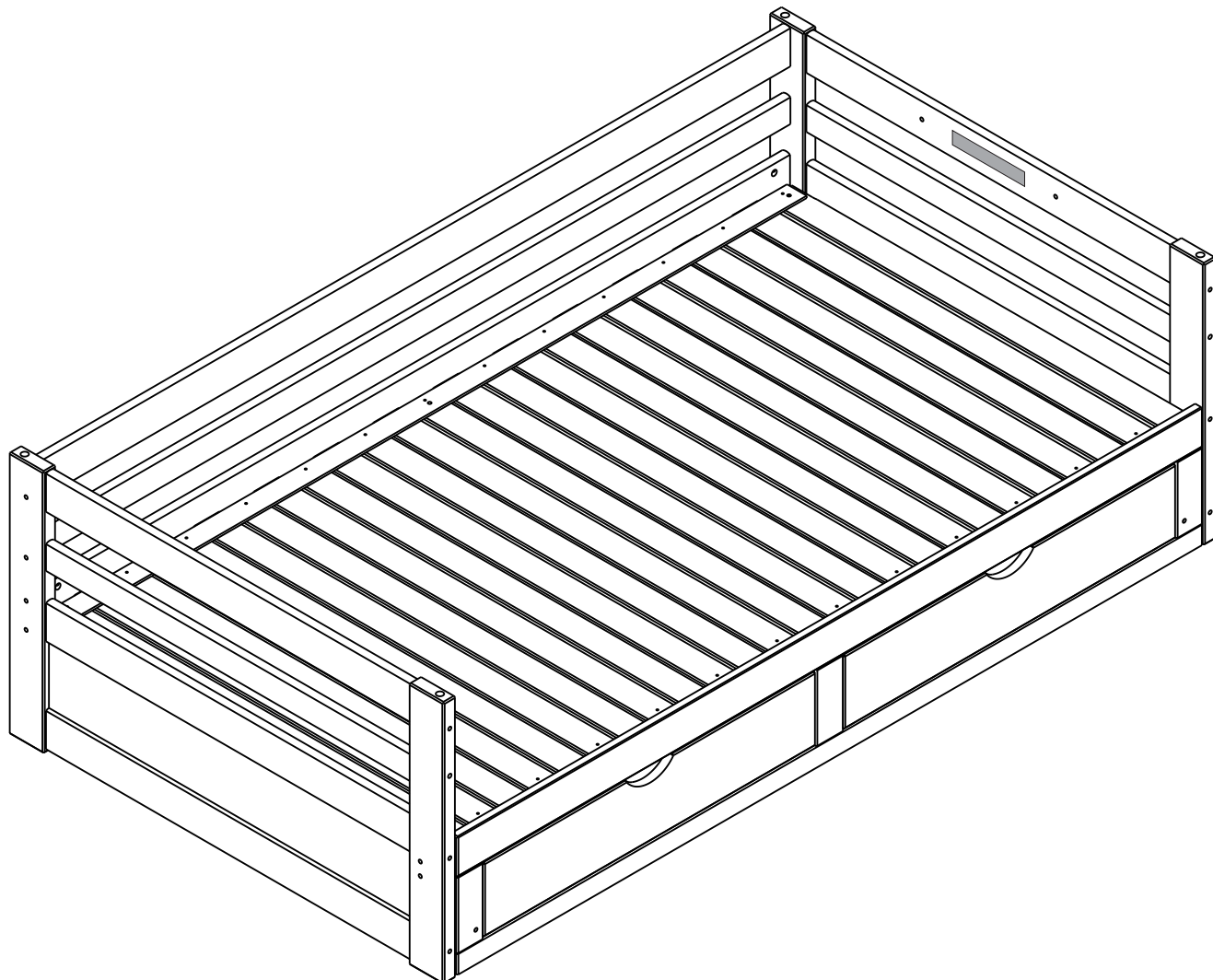
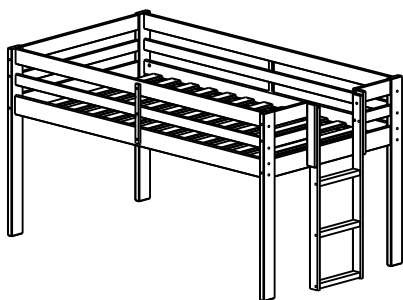


ASSEMBLY INSTRUCTIONS

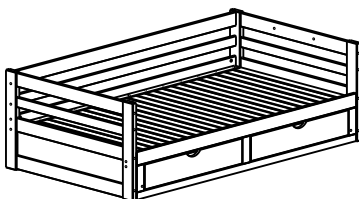
JASPER DAY BED



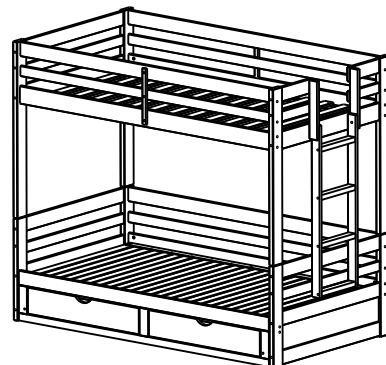
JASPER JR LOFT



JASPER DAYBED



JASPER BUNK BED

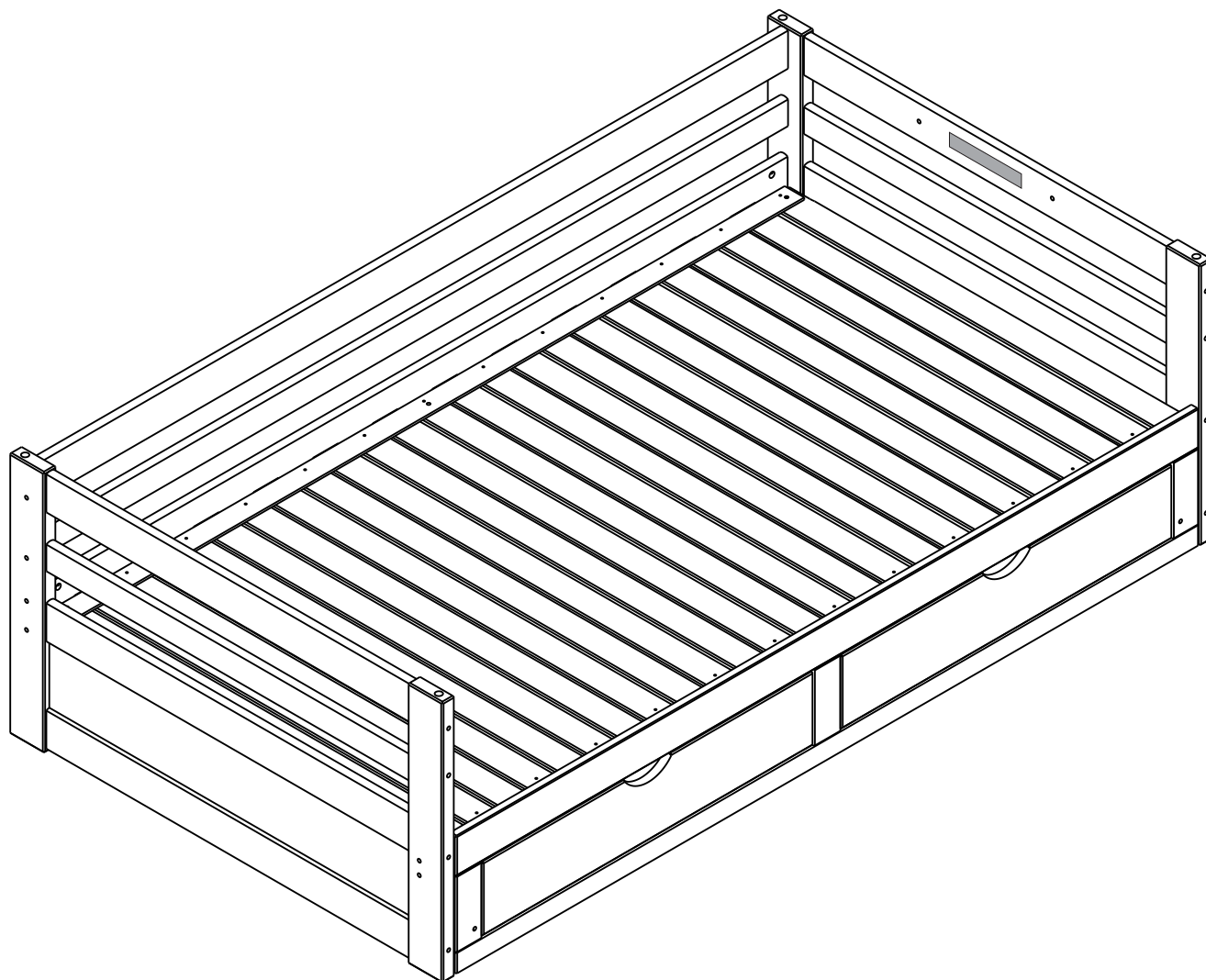


+

=

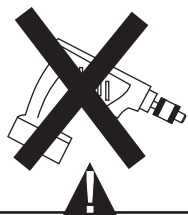
ASSEMBLY INSTRUCTIONS

JASPER DAY BED

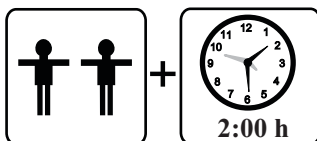


REPLACEMENT PARTS

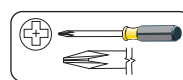
Please do not contact the company purchased from as we can help you faster.
Order replacement parts and hardware at "alaterrefurniture.com"



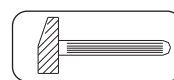
* Use of power tool to assemble this product will invalidate any claim and damage this product making it unsafe!!!
* Please assemble on a clean soft surface to avoid damage.



Tools Required

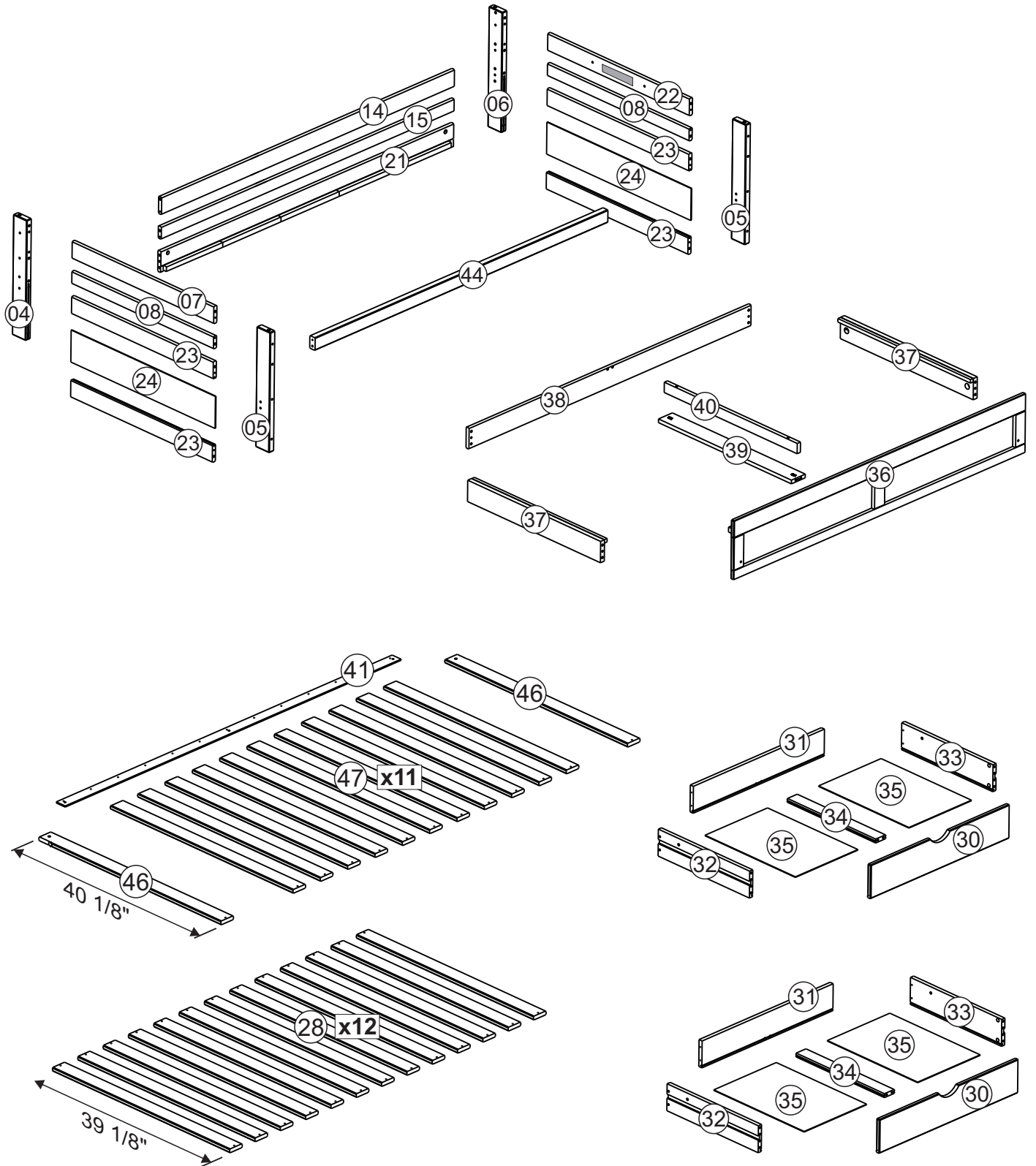


(Not included)



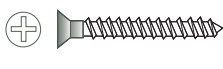

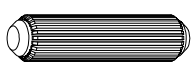
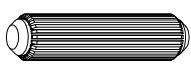
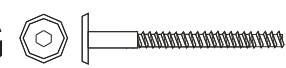
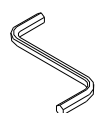
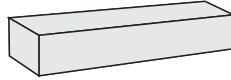
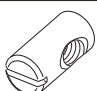

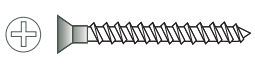
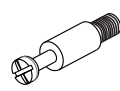



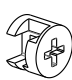




(Not included)

Part List - Jasper Day Bed



Identifying the Hardware-Identify the hardware using the illustrations below.

<p>A  08 1/4 x 80 x 17mm</p>	<p>B  04 1/4</p>	<p>C  47 4,0 x 35</p>
<p>D  04</p>	<p>E  22 10X50</p>	<p>F  24 10X40</p>
<p>G  06 7 x 70 x 17mm</p>	<p>H  02</p>	<p>I  02 SPACER -3 1/4" 82mm</p>
<p>K  06 1/4</p>	<p>L  08 8X35</p>	<p>M  02 4,5 x 60</p>
<p>N  08</p>	<p>O  21 4,0 x 20</p>	<p>P  02 6.0 x 45</p>
<p>Q  16 7 x 120 x 17mm</p>	<p>S  08</p>	<p>V  02</p>
<p>X  02 1/4 x 80 x 17mm</p>		

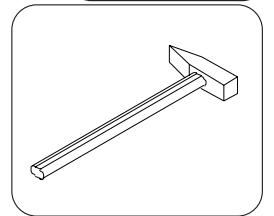
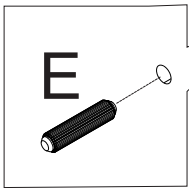
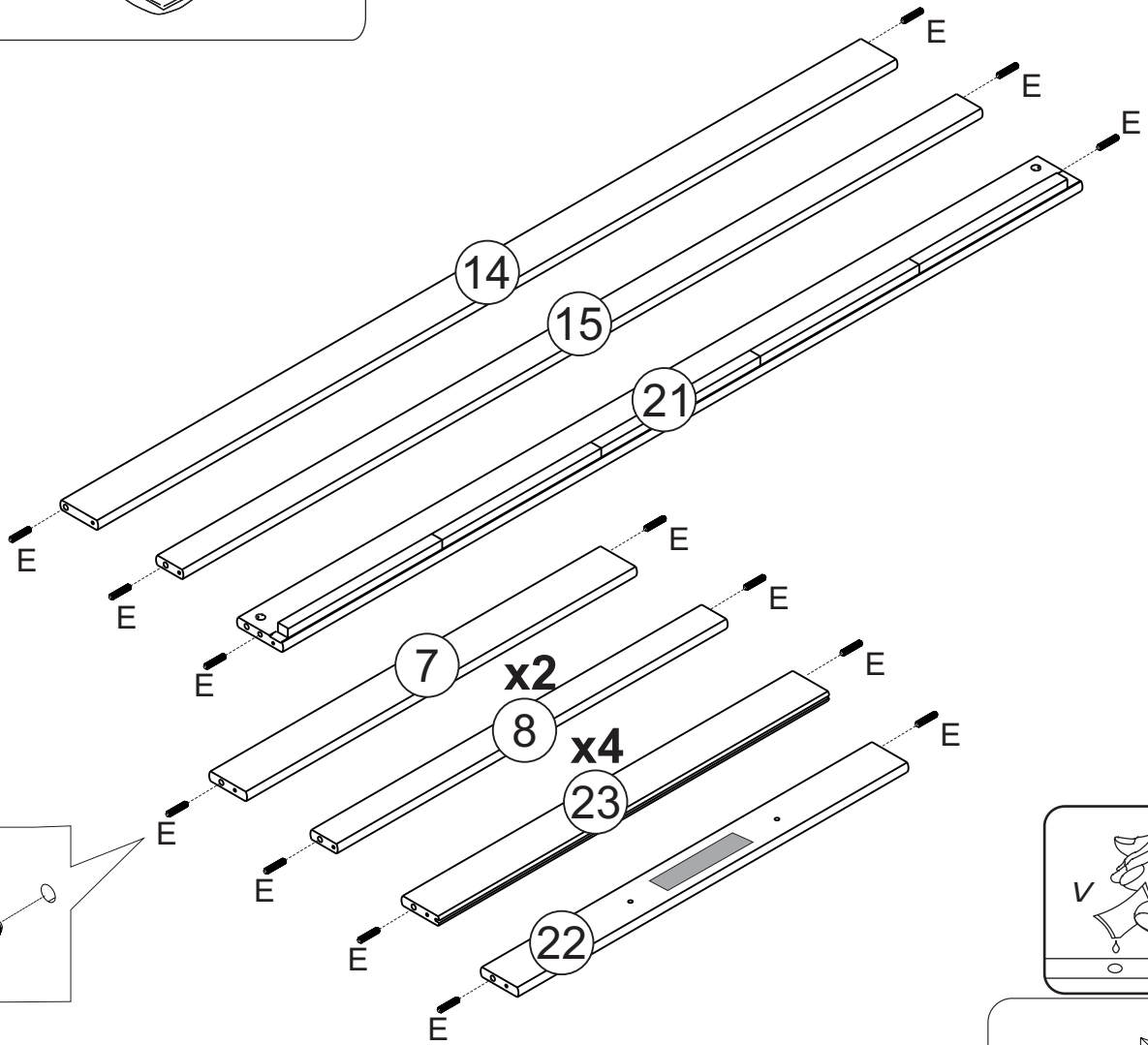
01

E 10X50 22

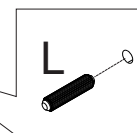
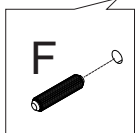
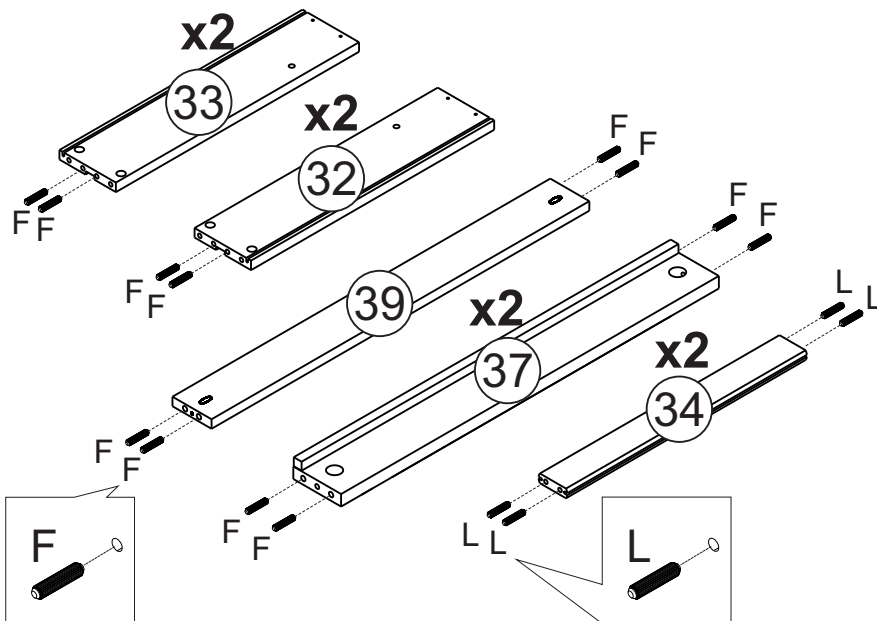
F 10X40 20

L 8X35 08

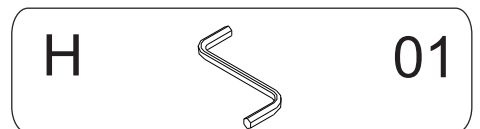
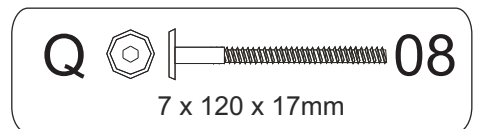
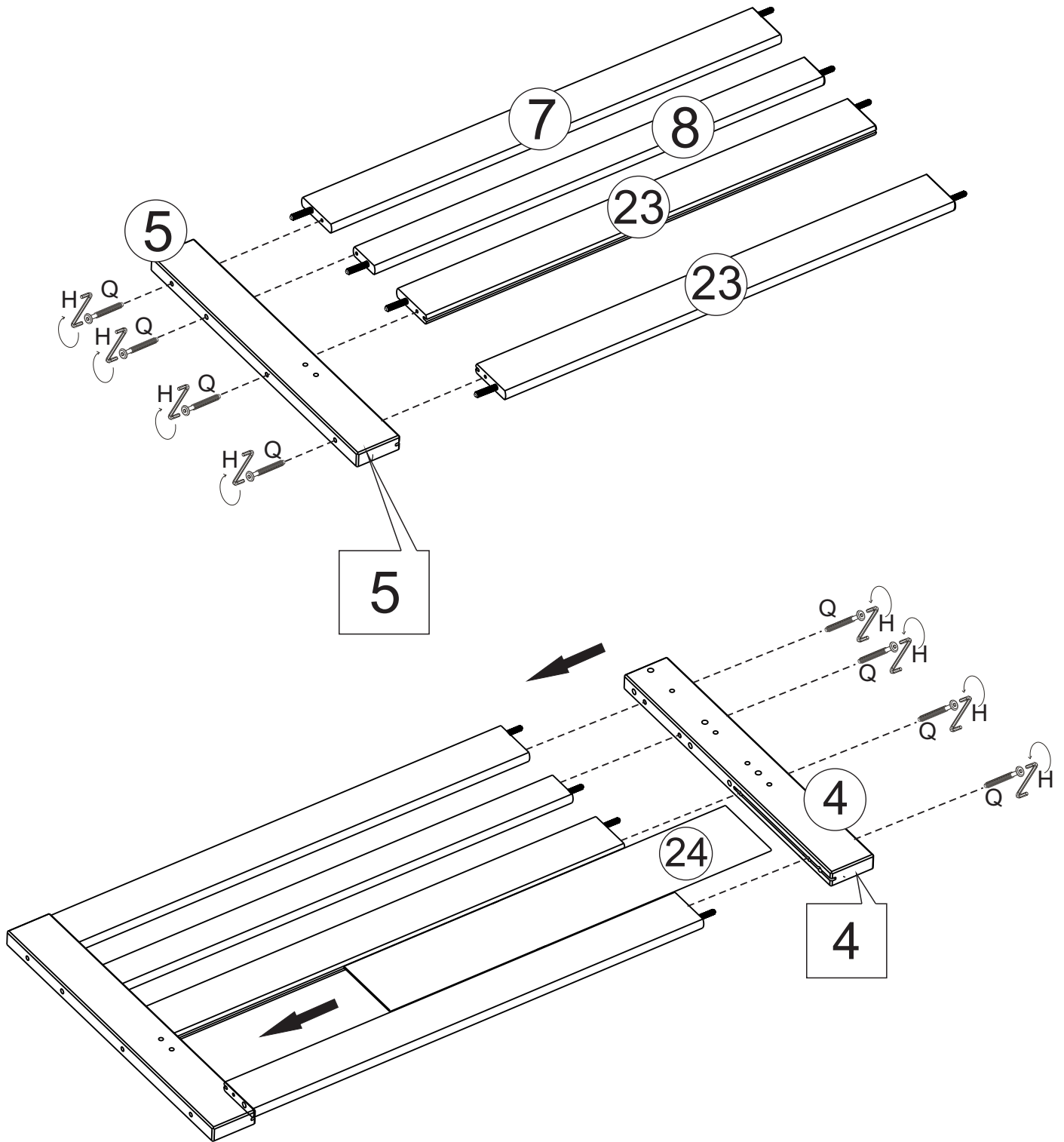
V 02



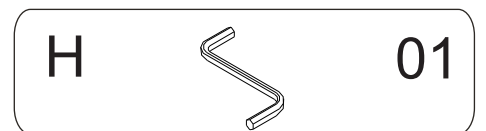
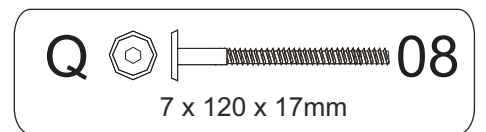
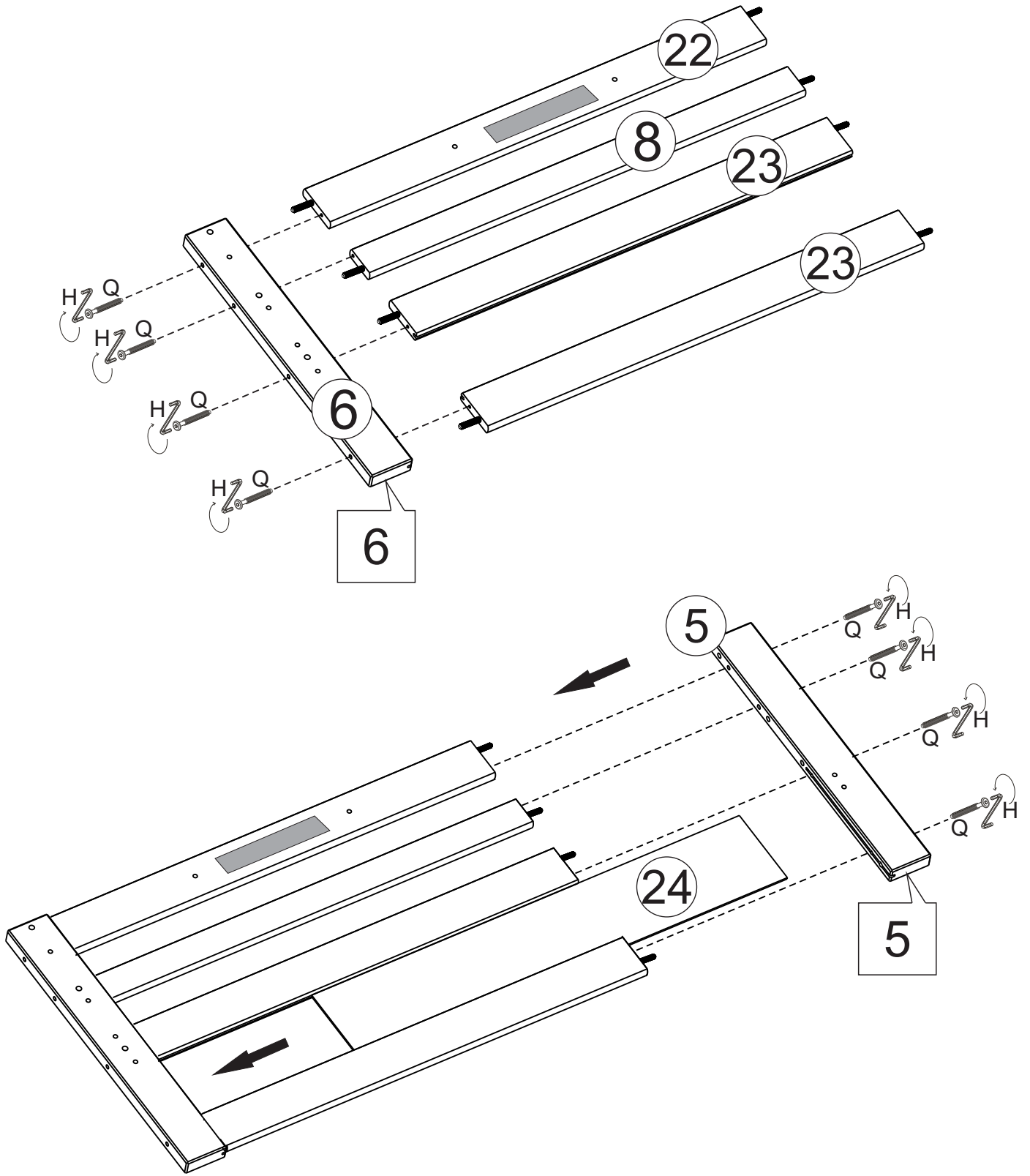
! "irreversible operation"



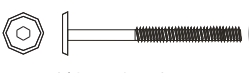
02



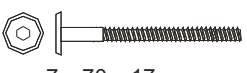
03

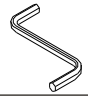


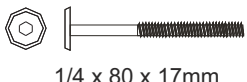
04

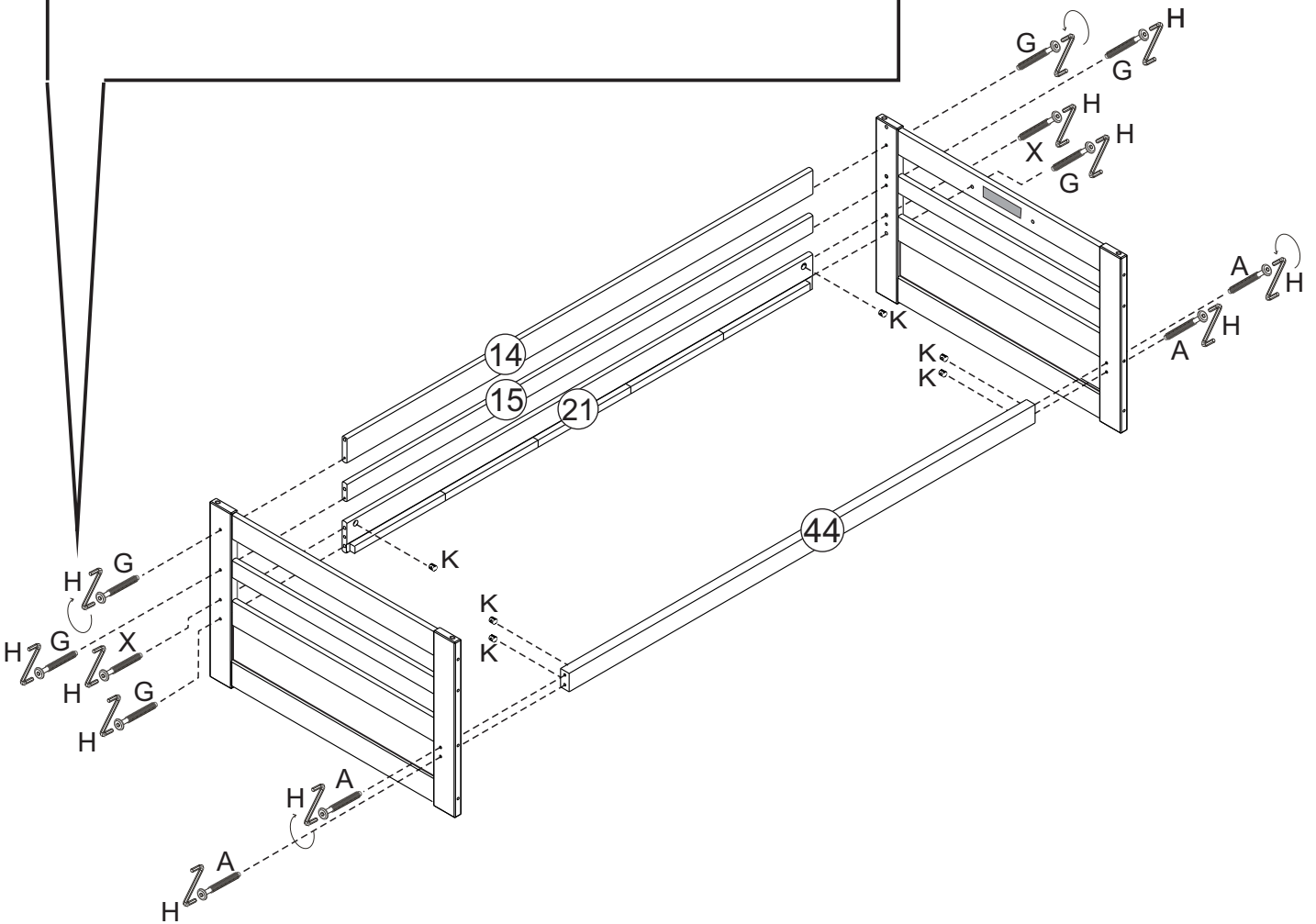
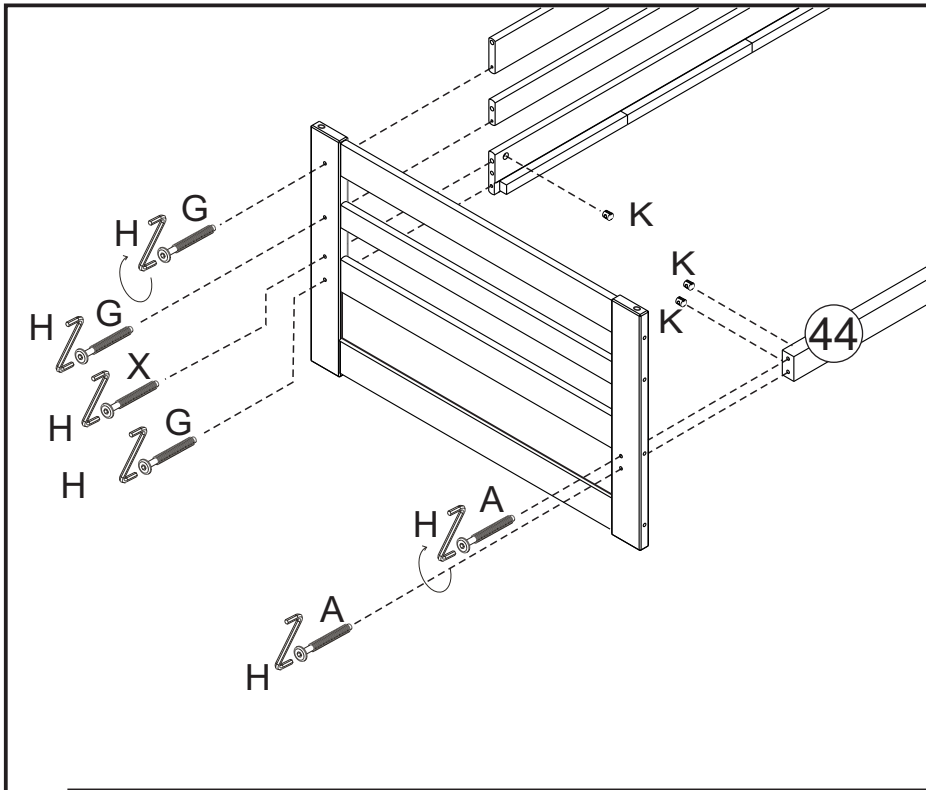
A  04
1/4 x 70 x 17mm

K  06
1/4

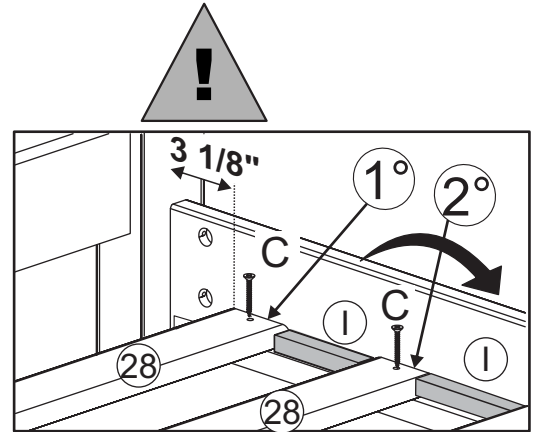
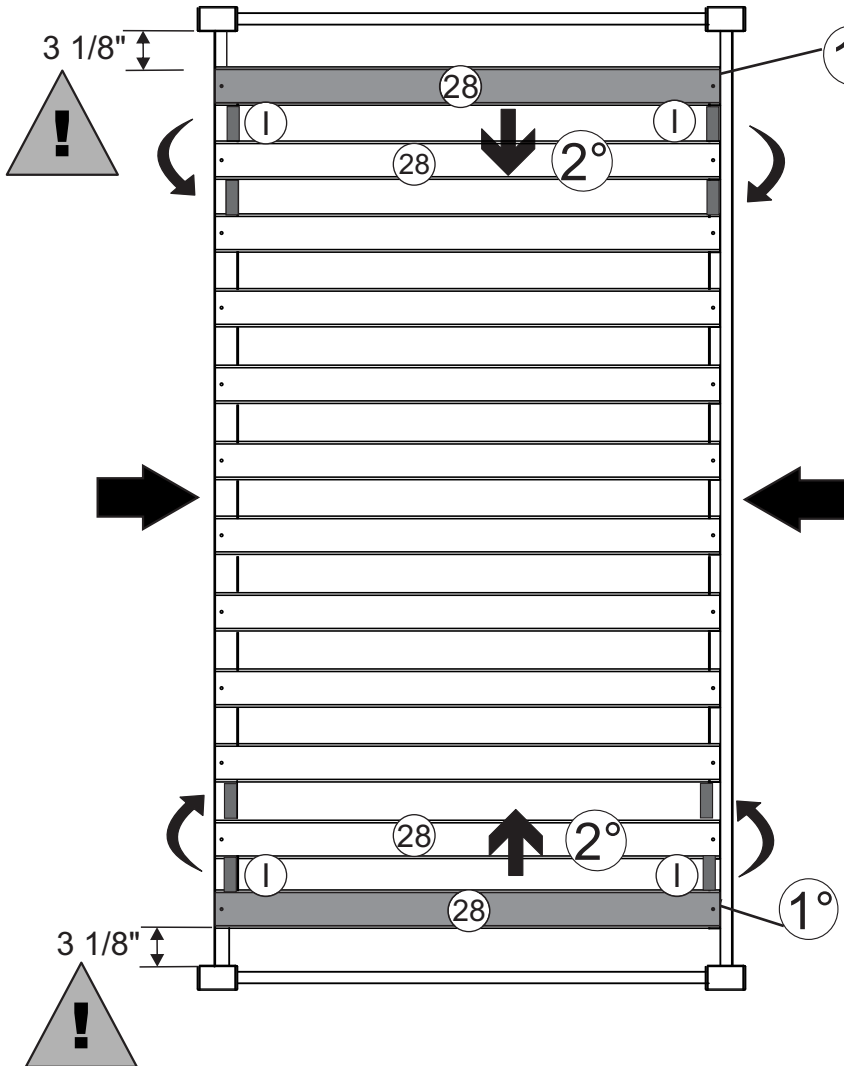
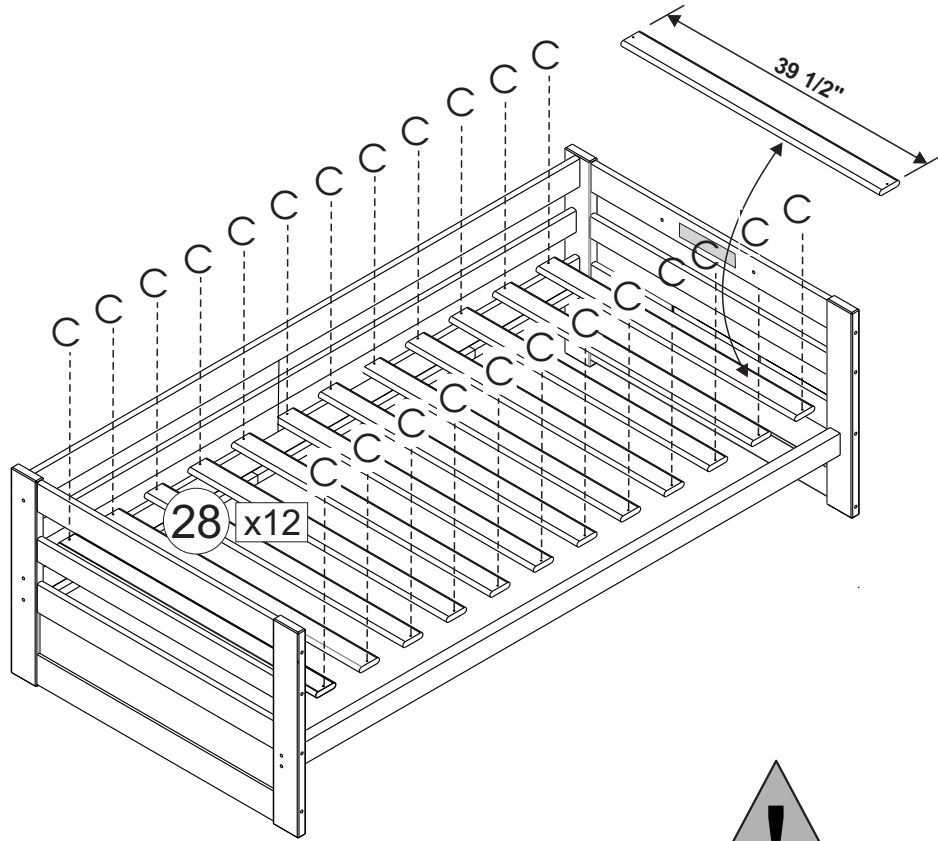
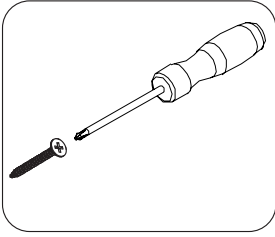
G  06
7 x 70 x 17mm


H  01


X  02
1/4 x 80 x 17mm

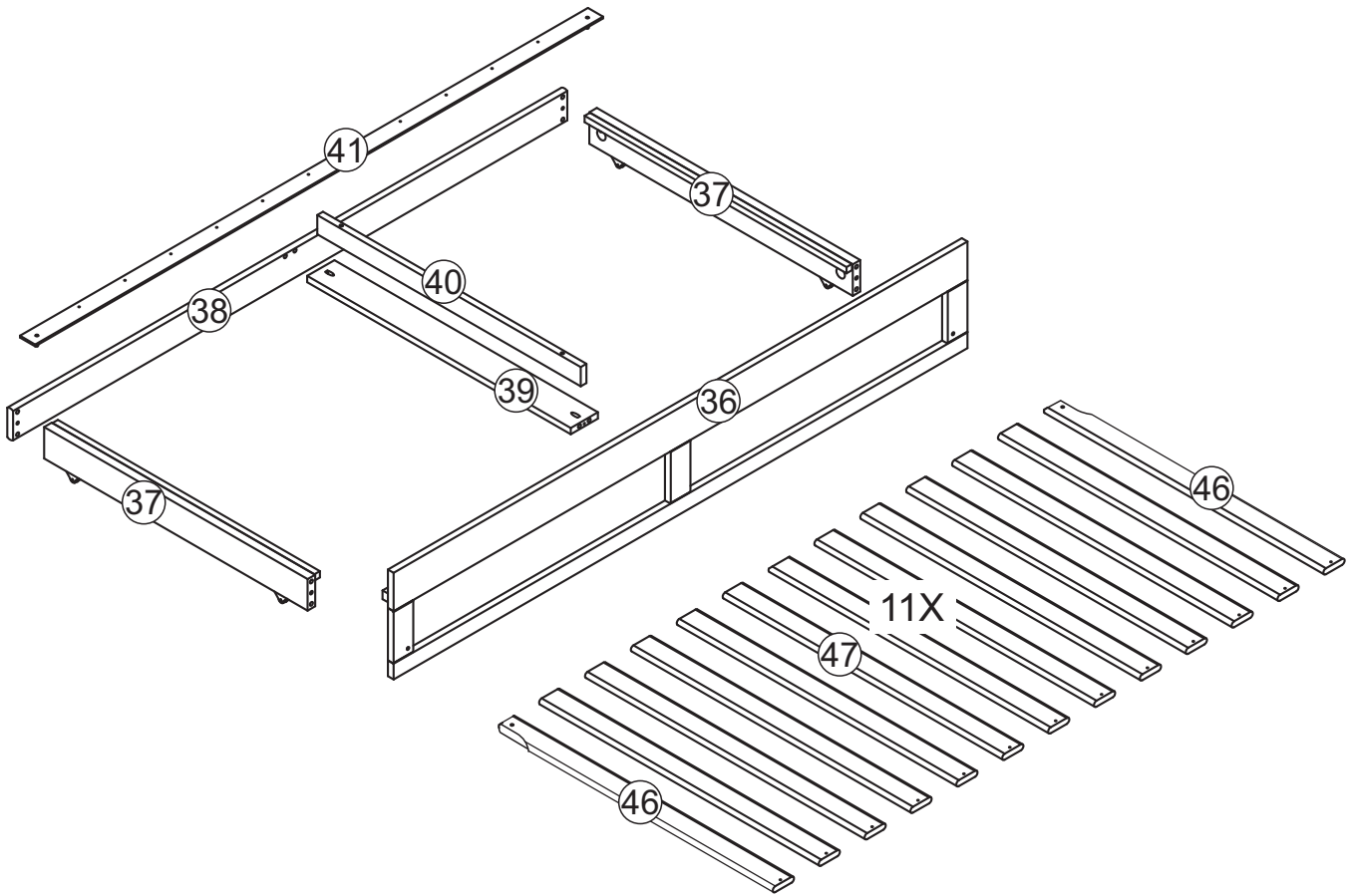


05



C		24
	4.0 x 35	

I		02
	Spacer 3 1/4" 82mm	



06

D



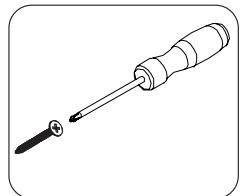
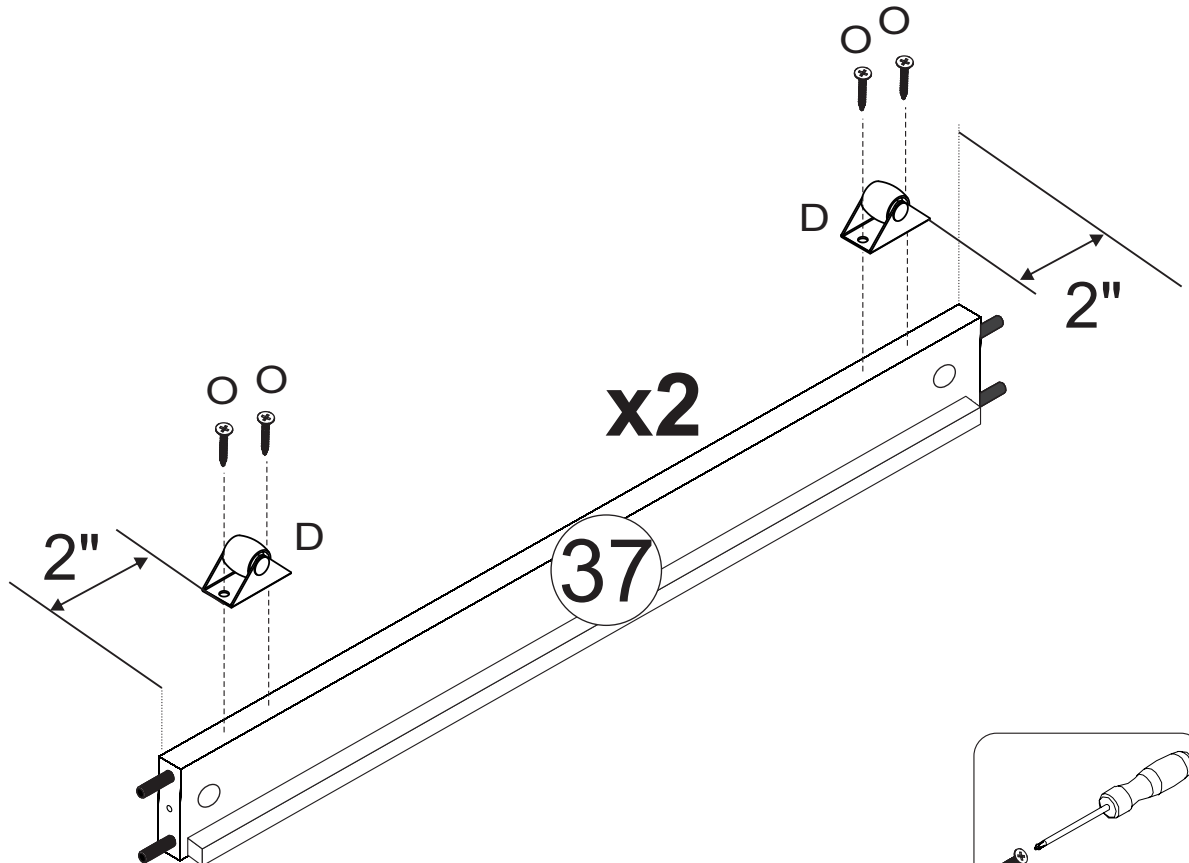
04

O




4,0 x 20

08



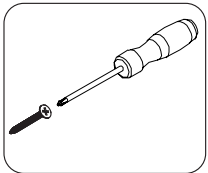
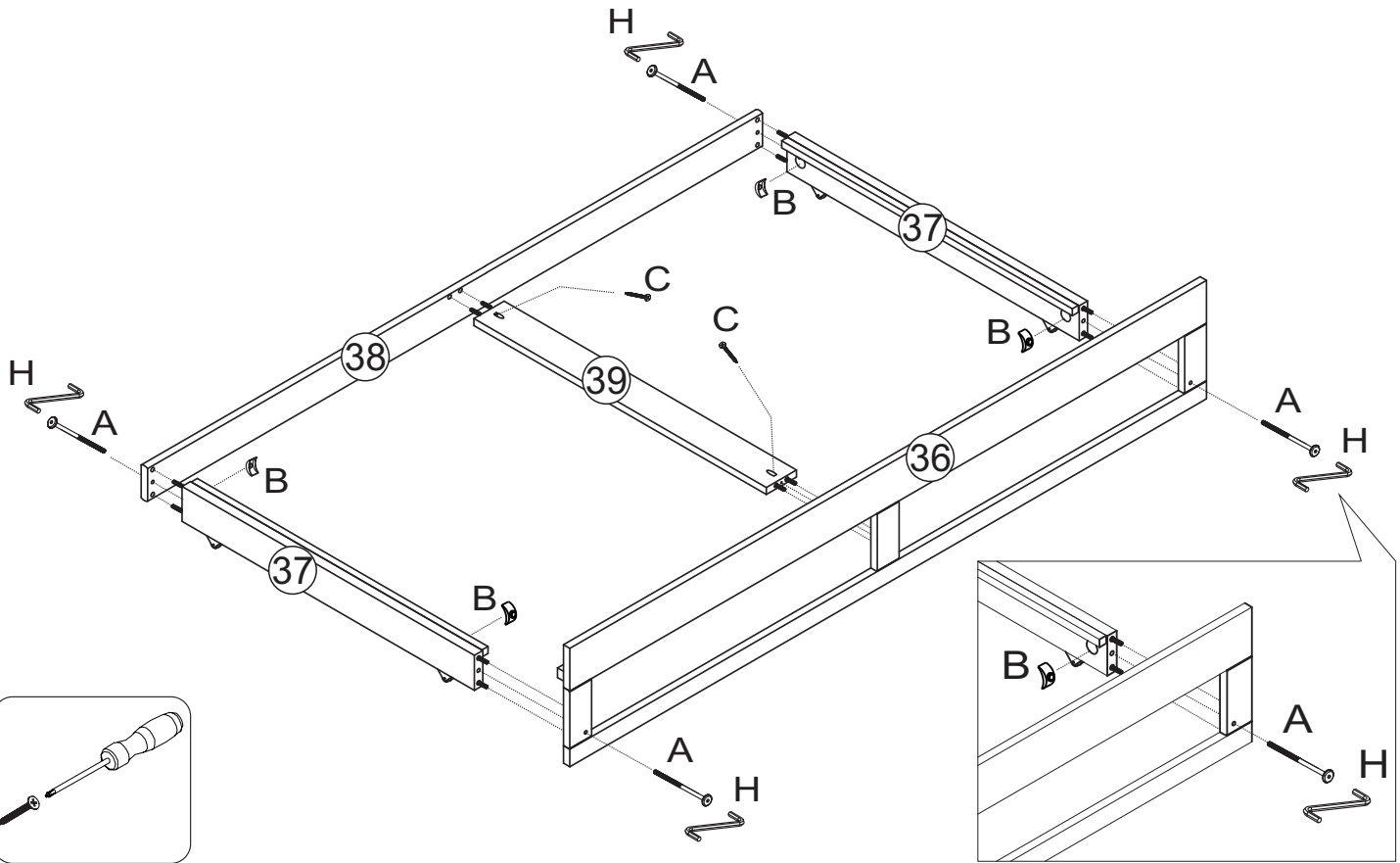
07

A  04
1/4 x 70 x 17mm


B  04
1/4

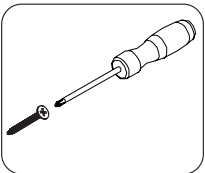
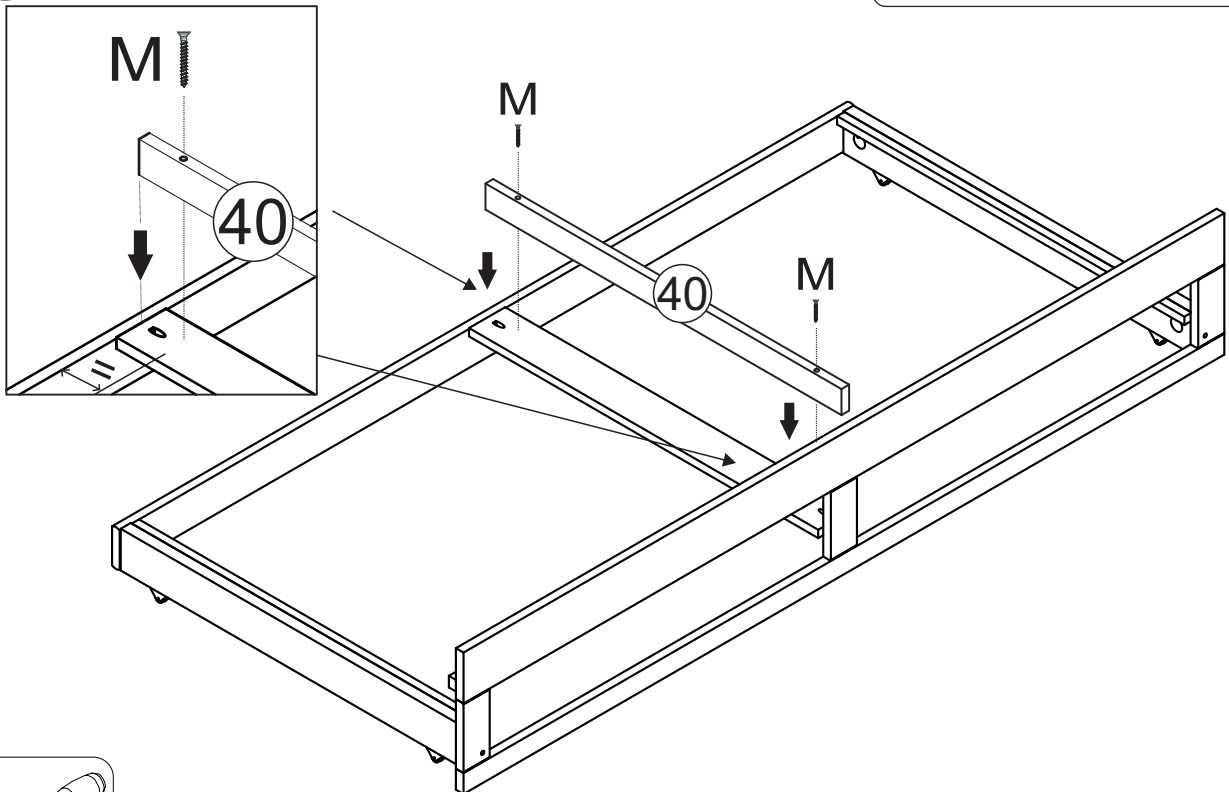
C  02
4.0 x 35

H  01



08

M  02
4,5 x 60



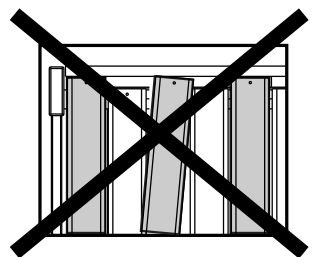
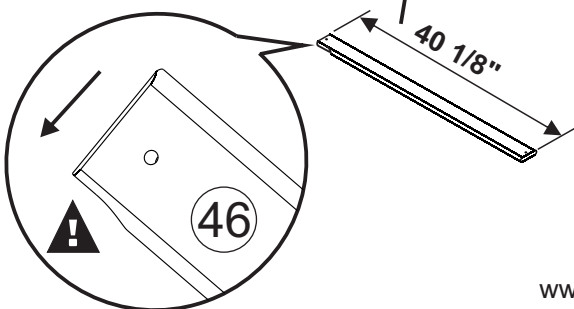
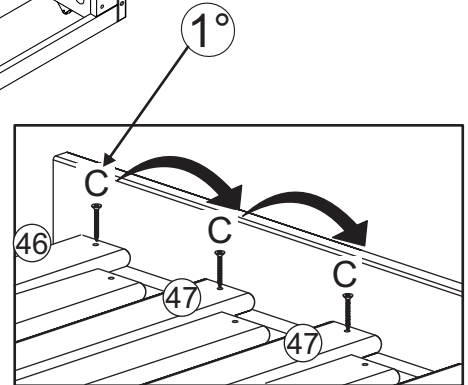
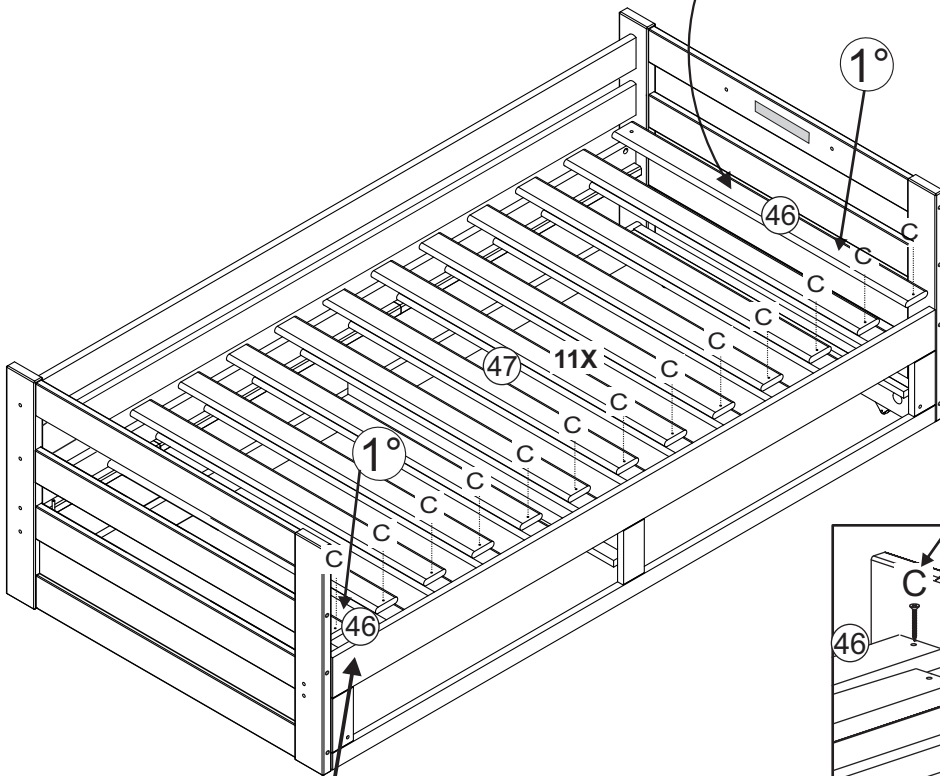
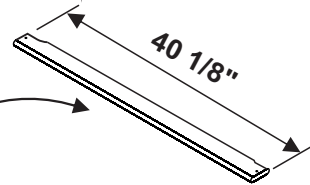
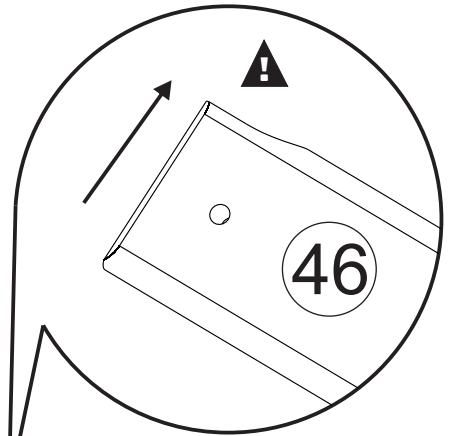
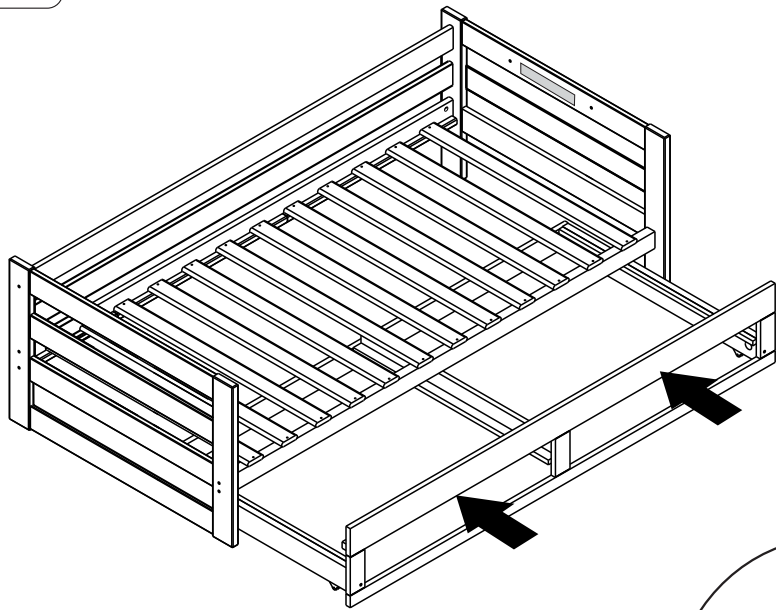
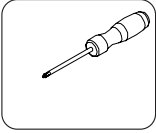
09

C



4.0 x 35

13



10

O



4.0 x 20

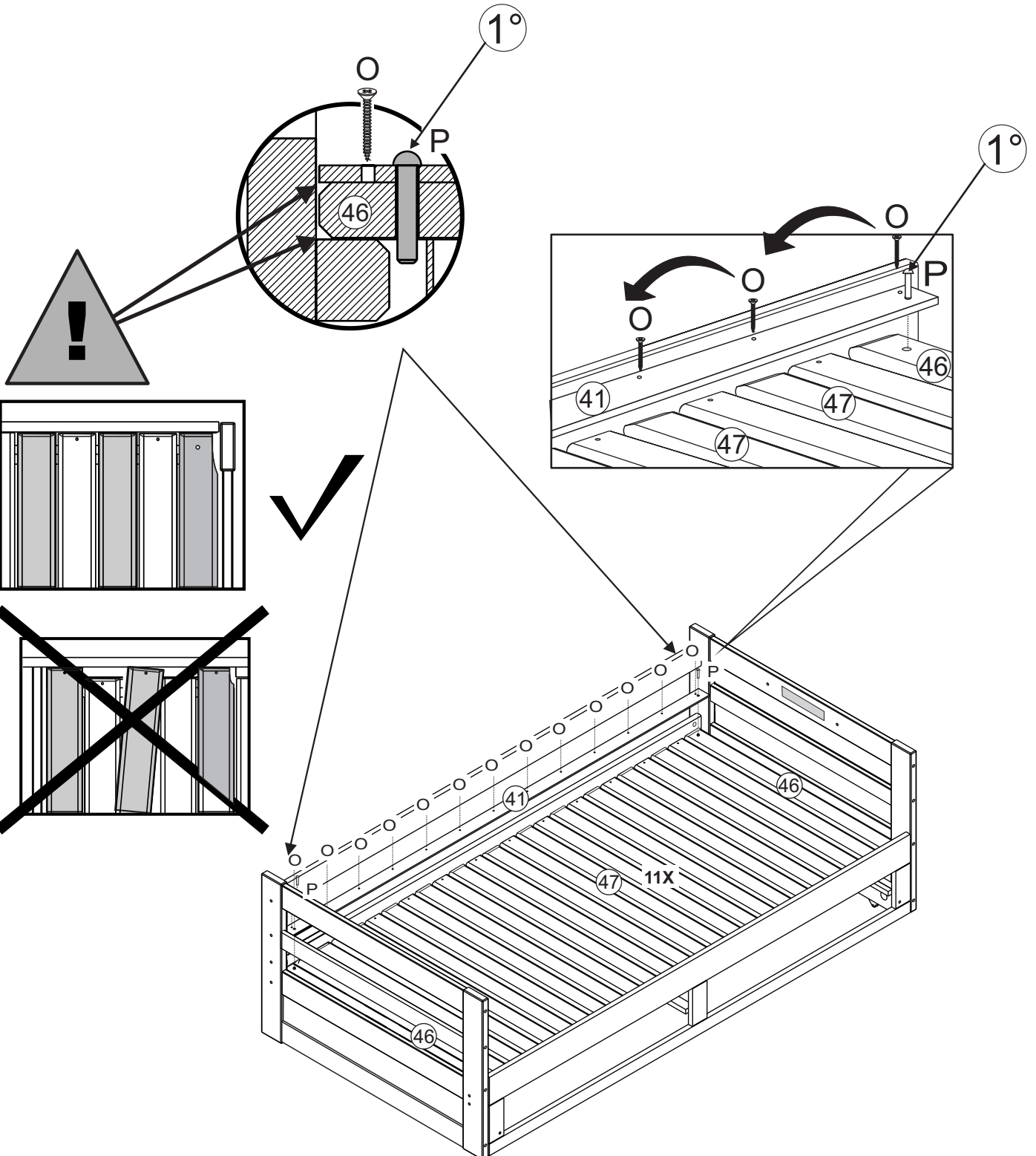
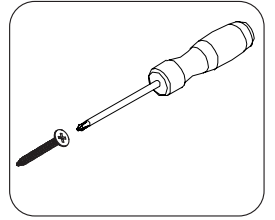
13

P



6.0 x 45

02

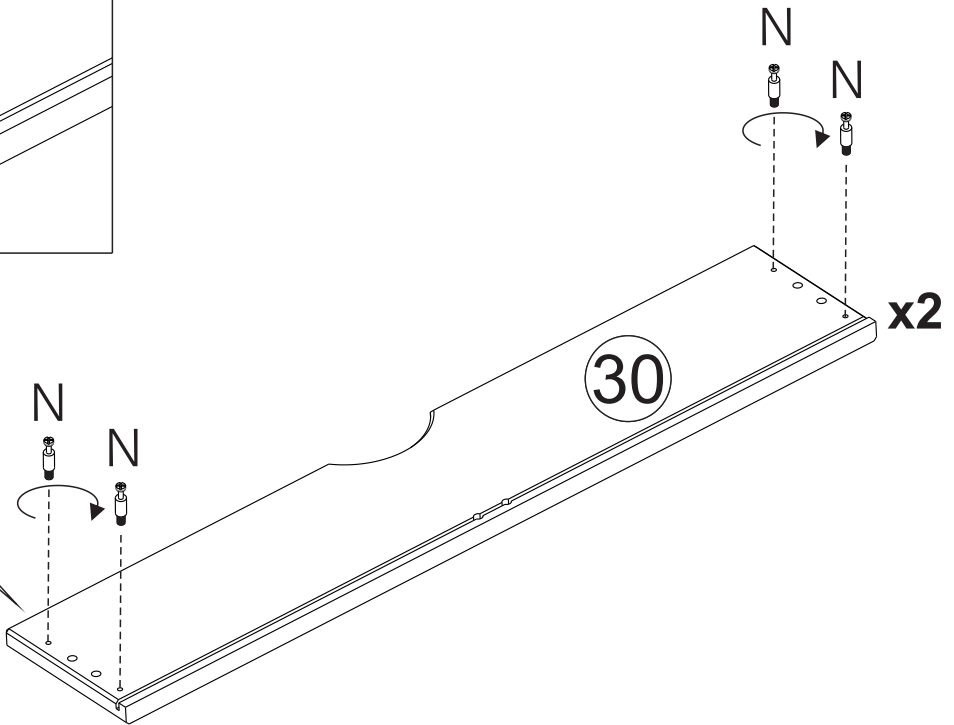
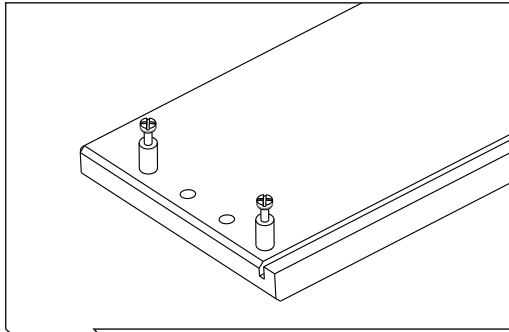
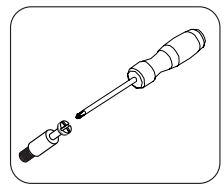


11

N

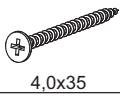


08



12

C



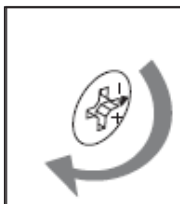
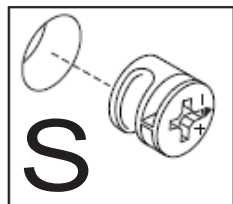
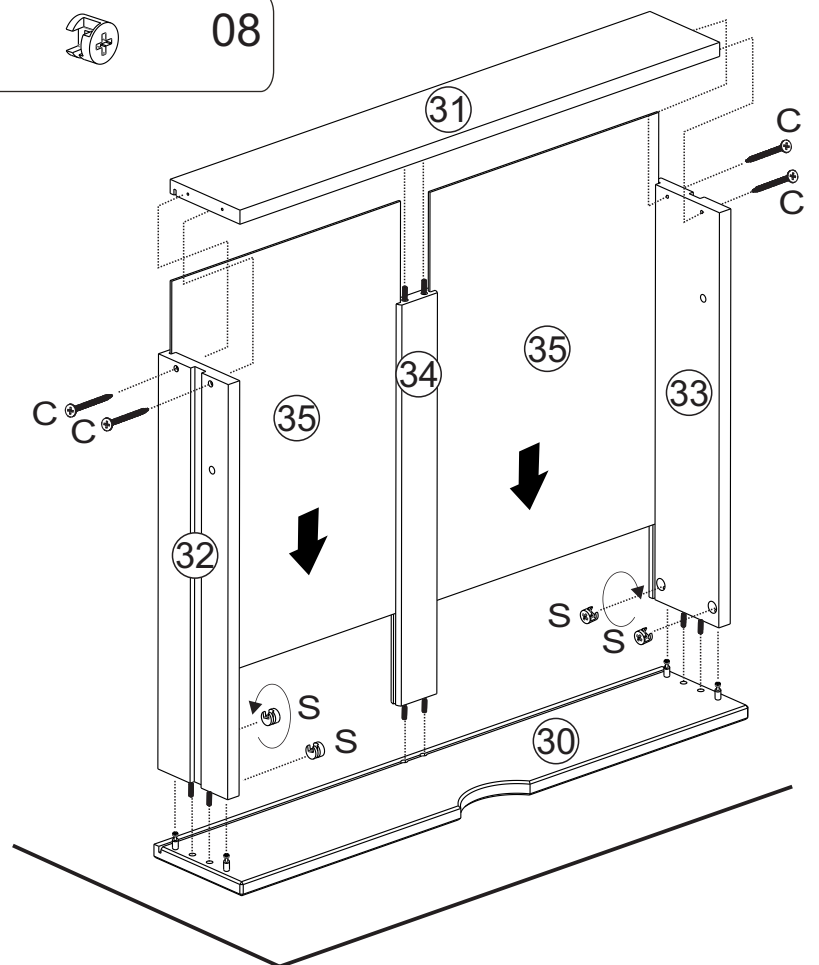
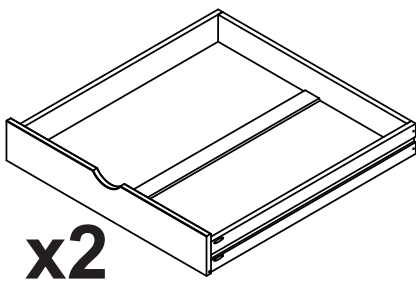
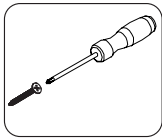
4,0x35

08

S

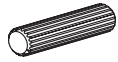


08



13

F



10 x 40

04

